



TM Series



The TM Series Turbine Meter is a horizontal Woltman-type with a long life design suited for low flows and moderate to high flows of non-potable water. The TM Series meters comply with all performance requirements of ISO 4064. Low frequency pulse output is available where remote metering is required. The TM series is intended for horizontal installation.

- Long Life Design
- Sealed Register
- Removable Measurement Mechanism
- Gallons or Cubic Meter Register
- Low Pressure Loss
- LF output

Technical Characteristics

MATERIALS.....Meter Body Cast Iron, Epoxy Coating
 Turbine..... Plastic

FLANGES..... # ANSI

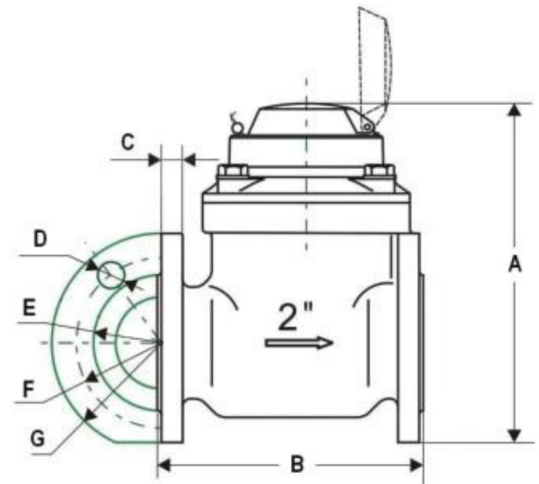
MAX PRESSURE 230 psi (16 Bar)

MAX TEMPCold..... 104° F, 40° C

ACCURACY.....Above Transition* +/- 2%
 Below Transition* +/- 5%

PULSELow..... 24Vac/dc @ 100mA

PULSE WEIGHT Low 2" 1/10Gal; 3"-8" 1/100Gal; Metric all sizes 1/100L



FLOW RATE - gpm / (m ³ /hr)					
Nom. Diam.	2" (50mm)	3" (76mm)	4" (102mm)	6" (152mm)	8" (203mm)
Minimum	2 (0.45)	5.3 (1.5)	8 (1.8)	20 (4.5)	33 (7.5)
Continuous	66 (15)	176 (40)	264 (60)	660 (150)	1100 (250)
Maximum	132 (30)	352 (80)	528 (120)	1320 (300)	2200 (500)
Transition *	13 (3)	35 (8)	53 (1.2)	132 (30)	220 (50)

DIMENSIONS - Inches / (mm)					
Size	2" / (50mm)	3" / (76mm)	4" / (102mm)	6" / (152mm)	8" / (203mm)
A	10.0" / (254)	10.9" / (277)	11.3" / (287)	13.6" / (345)	14.7" / (373)
B	7.9" / (201)	8.9" / (226)	9.8" / (249)	11.8" / (300)	13.8" / (351)
C	0.63" / (16)	0.75" / (19)	0.95" / (24)	1.0" / (25.4)	1.1" / (28)
D	0.75" / (19)	0.75" / (19)	0.75" / (19)	0.88" / (22.4)	2.0" / (51)
E	3.6" / (91)	5.0" / (127)	6.2" / (158)	8.5" / (216)	10.6" / (269)
F	4.75" / (121)	6.0" / (152)	7.5" / (191)	9.5" / (234)	11.75" / (299)
G	6.5" / (165)	7.5" / (191)	9.0" / (229)	11.0" / (279)	13.5" / (343)
Wt-lb (kg)	26 (12)	35 (16)	39 (18)	84 (38)	112 (51)

* The flow rate change from +/- 2% to +/-5% of reading.